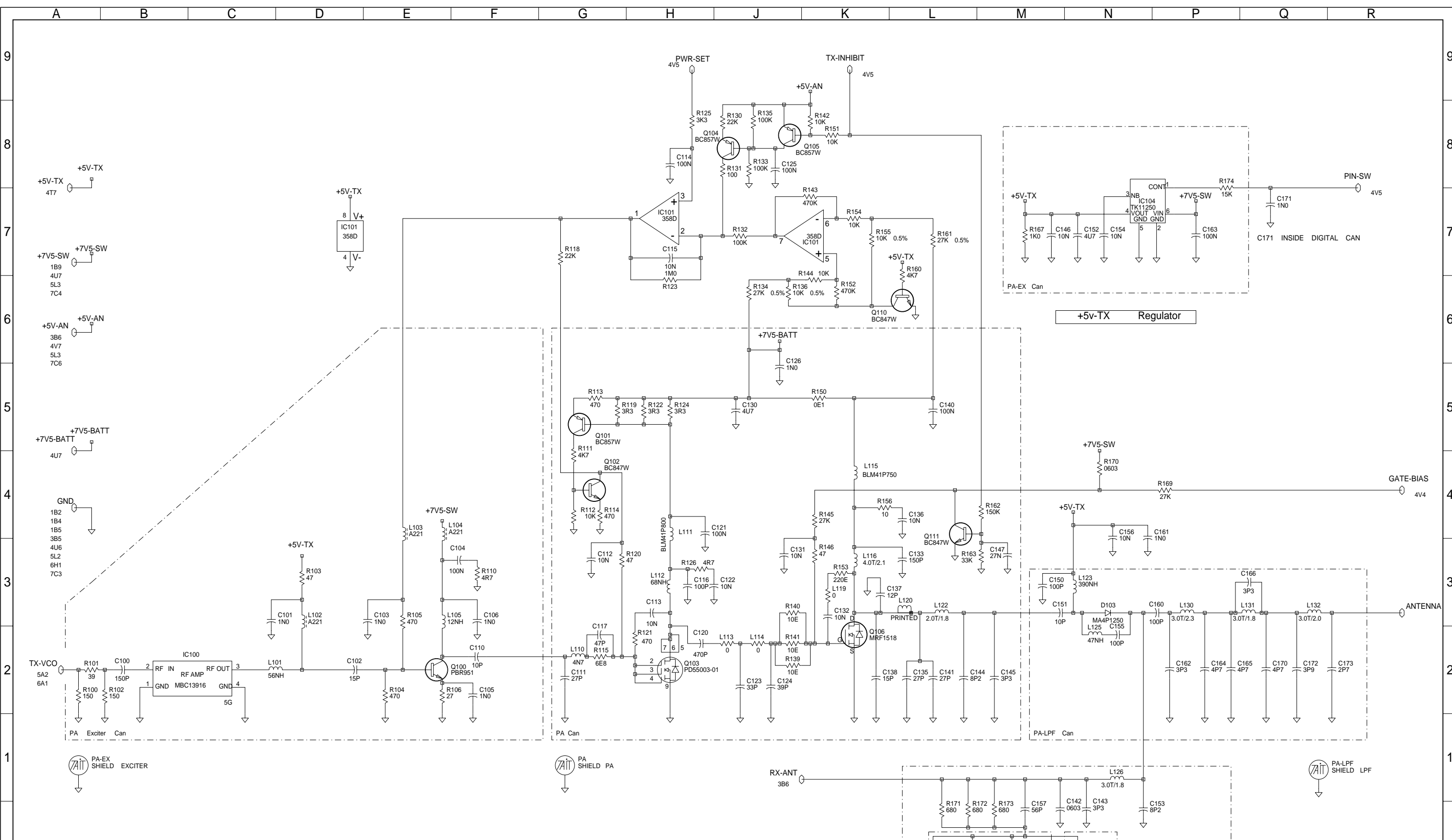


05B	CCO 1603/009	CM		02/02/00
05A	CCO 1603-008 BCU TRACK 2 VIAS	TS		15-12-99
04B	CCO 1603/007	TS		18-11-99
04A	CCO 1603/004 1603/005 1603/006	CJK		05/11/99
03A	CCO 1603/003	CJK	SP	6/10/99
02A	CCO 1603/001 & 002	CJK		24/09/99
01A	NEW PA FOR 400-470 MHZ	CJK	JJ	10/06/99
REV/ISS	AMENDMENTS	DRAWN	CHKD	D.O.
		APVD		DATE

10B	ECO 501828 C117,R115 VALUE CHG.	BRD		06-06-03
10A	ECO 50 1651 MOVED C135	BRD		09-08-02
09A	DCO NO. 1603-012	BRD		19-04-02
08A	CCO. NO. 1603-011	BRD		26-01-01
07A	CCO. NO. 1603-010	BRD		23-02-01
REV/ISS	AMENDMENTS	DRAWN	CHKD	D.O.
		APVD		DATE



© TAIT ELECTRONICS
 ORCA : 400-470MHZ SYSTEM DIAGRAM
 PROJECT: 220-01603-10 DESIGNER: ORCA
 ISSUE: B FILE NAME: 160310b
 ID: 2.SC. 1 FILE DATE: 6-Jun-03
 NO.SHEETS: 7

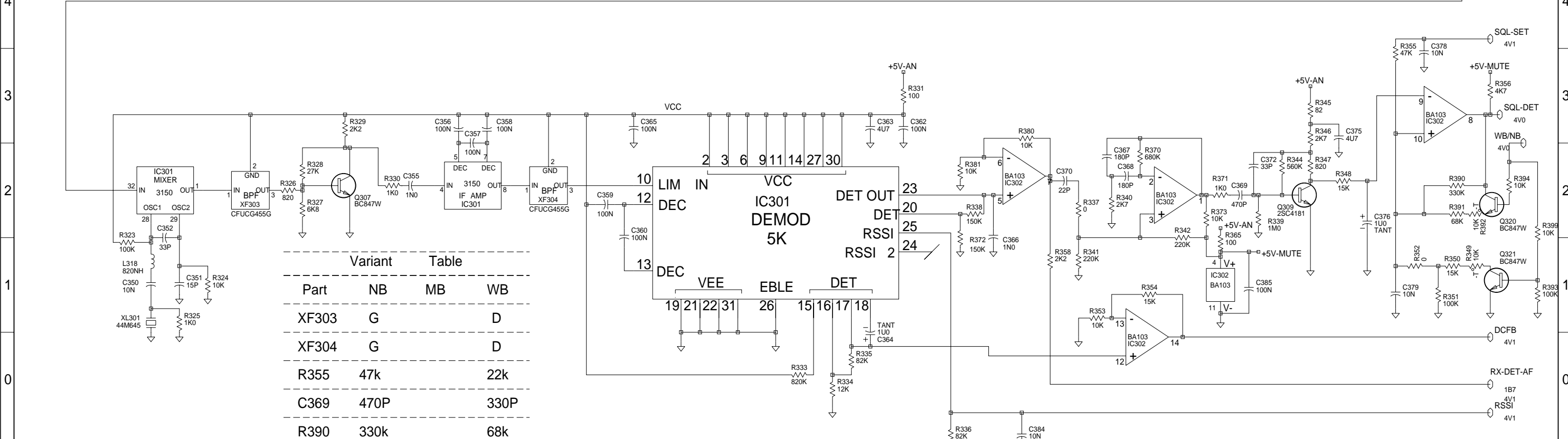
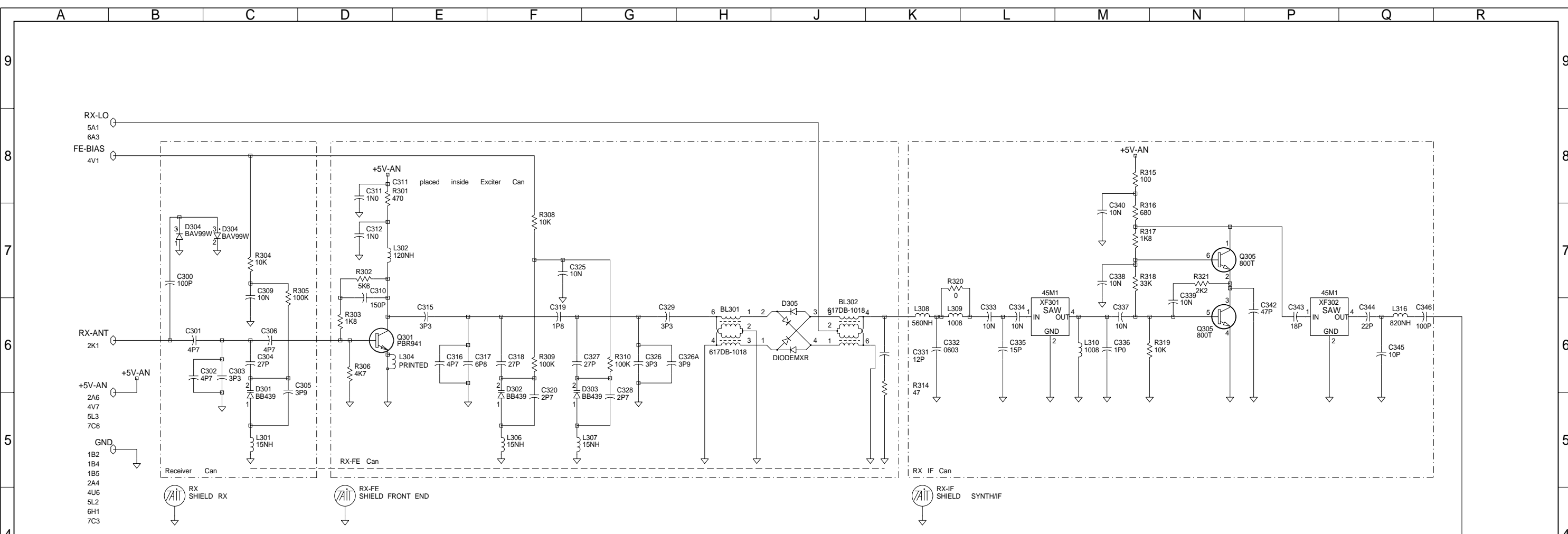


Part	Value	IPN
D100	MA4P1250	001-10012-50
C153	6P8	015-21680-01
C143	3P9	018-11390-10
C157	47P	018-12470-10

DUAL PLACEMENT Place Either Or
Place D105, D106, D107 or Only D100

© TAIT ELECTRONICS
 ORCA : 400-470MHZ
 POWER AMPLIFIER
 IPN: 220-01603-10 ISSUE: B 2.S.C. 2
 PROJECT: ORCA DESIGNER: BRD FILE NAME: 160310b FILE DATE: 6-Jun-03 NO.SHEETS: 7

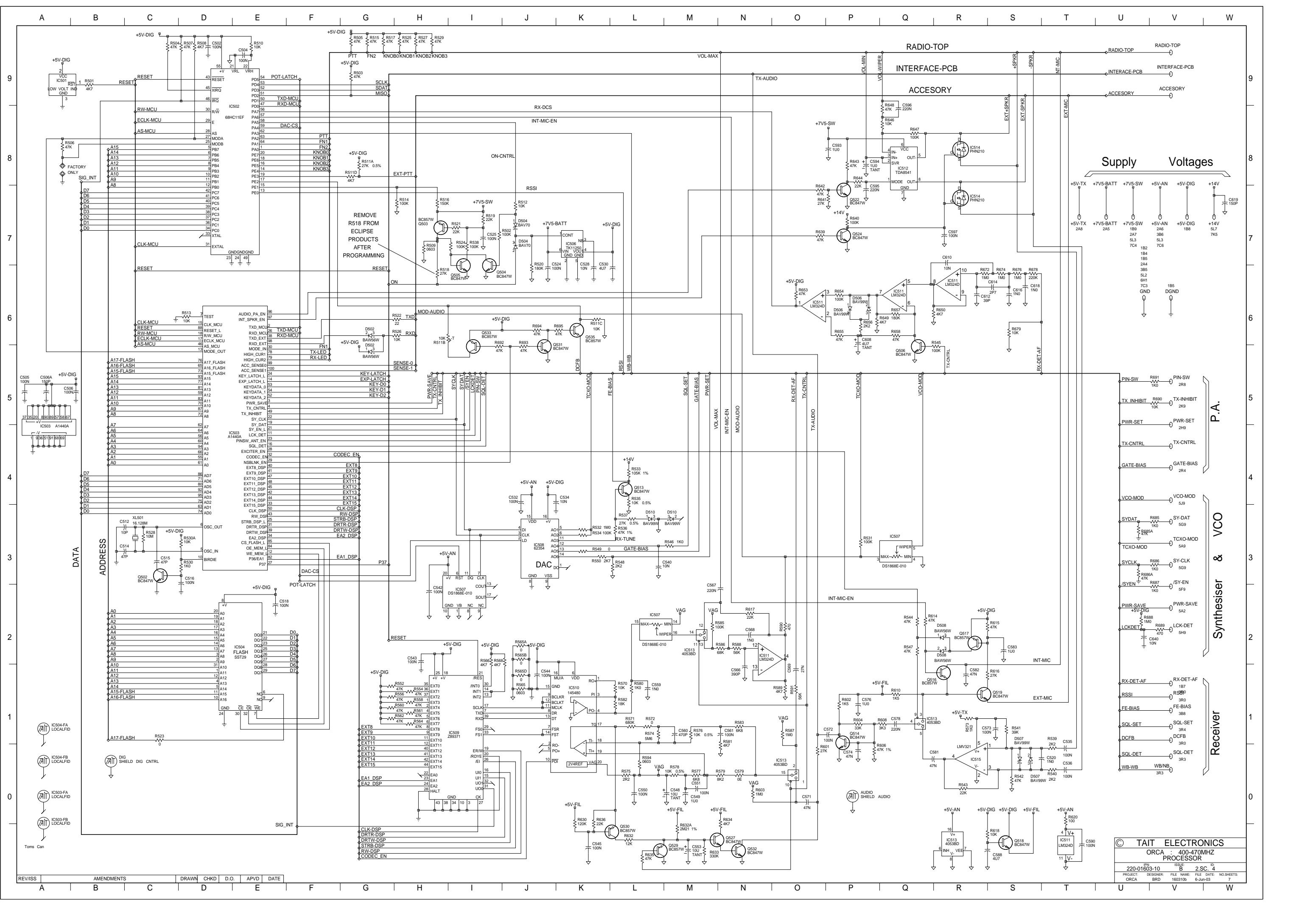
REV/ISS	AMENDMENTS	DRAWN	CHKD	D.O.	APVD	DATE
A						



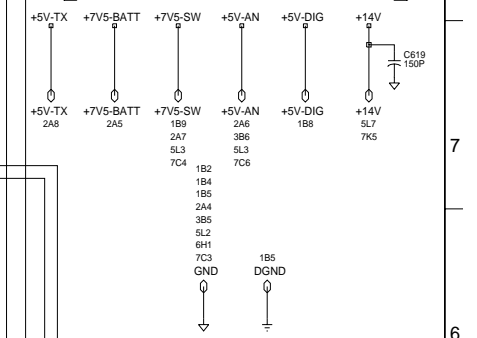
Variant Table

Part	NB	MB	WB
XF303	G		D
XF304	G		D
R355	47k		22k
C369	470P		330P
R390	330k		68k

REV/ISS	AMENDMENTS	DRAWN	CHKD	D.O.	APVD	DATE
A						



Supply Voltages



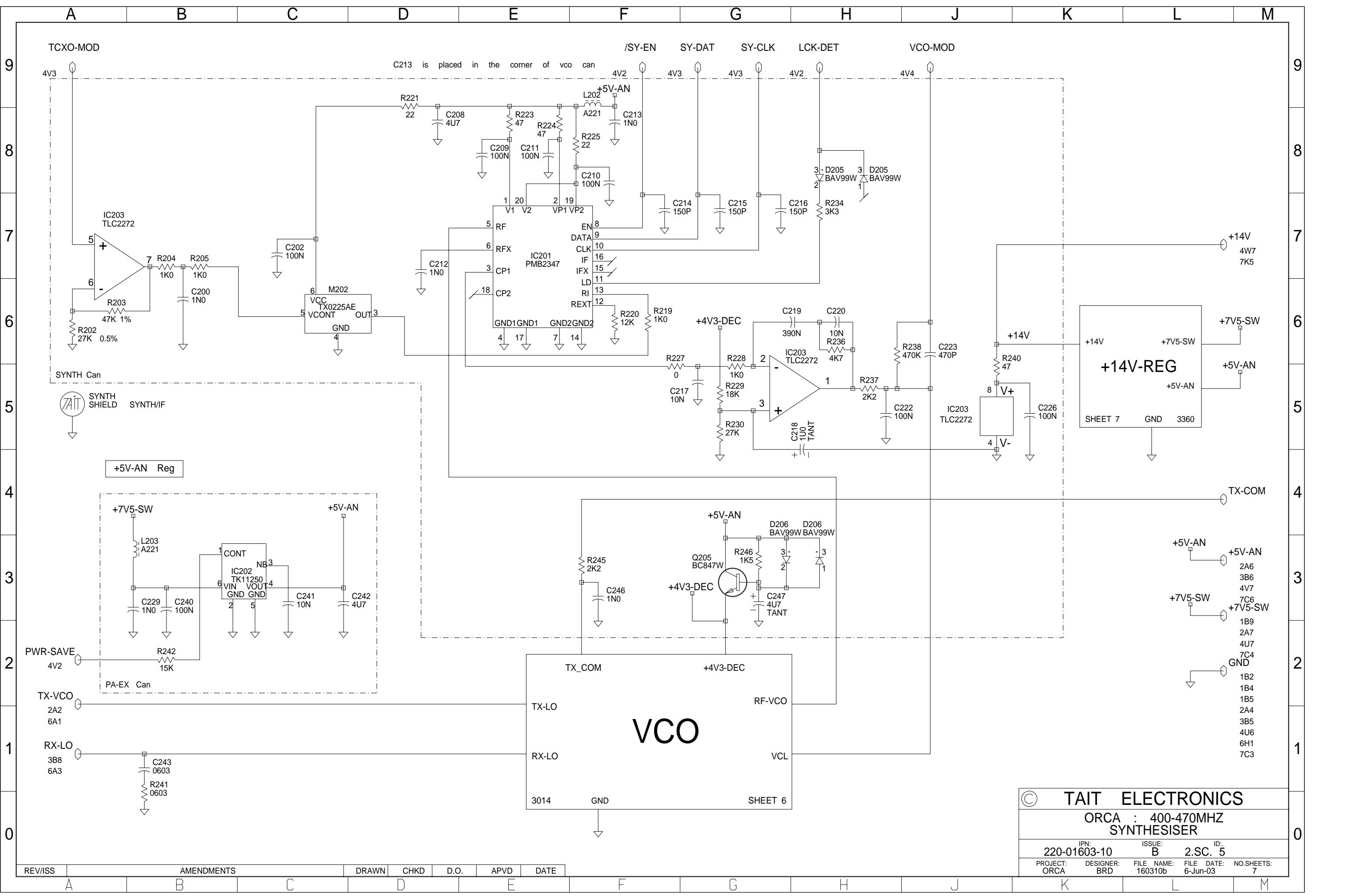
P.A.

Synthesiser & VCO

Receiver

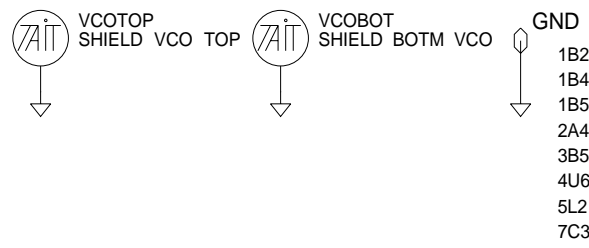
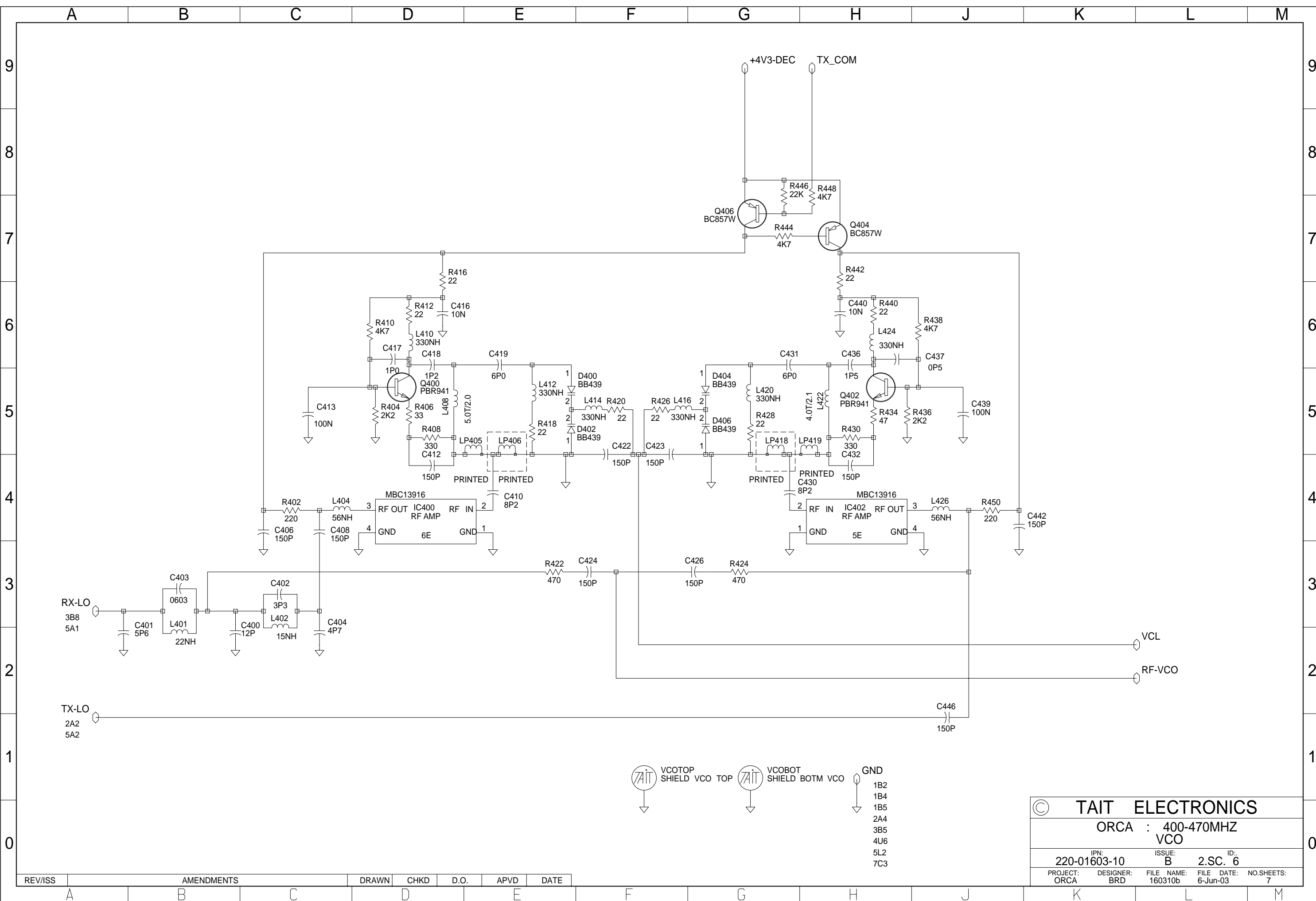
© TAIT ELECTRONICS
 ORCA - 400-470MHZ
 PROCESSOR
 I/P: 220-01603-10 B 2 SC. 4
 PROJECT: ORCA DESIGNER: 160310D: 6-SEP-03
 FILE NAME: FILE DATE: NO SHEETS: 7

REV/ISS	AMENDMENTS	DRAWN	CHKD	D.O.	APVD	DATE
A	B	C	D	E	F	



© TAIT ELECTRONICS
 ORCA : 400-470MHZ SYNTHESISER
 IPN: 220-01603-10 ISSUE: B ID: 2.SC. 5
 PROJECT: ORCA DESIGNER: BRD FILE NAME: 160310b FILE DATE: 6-Jun-03 NO.SHEETS: 7

REV/ISS	AMENDMENTS	DRAWN	CHKD	D.O.	APVD	DATE

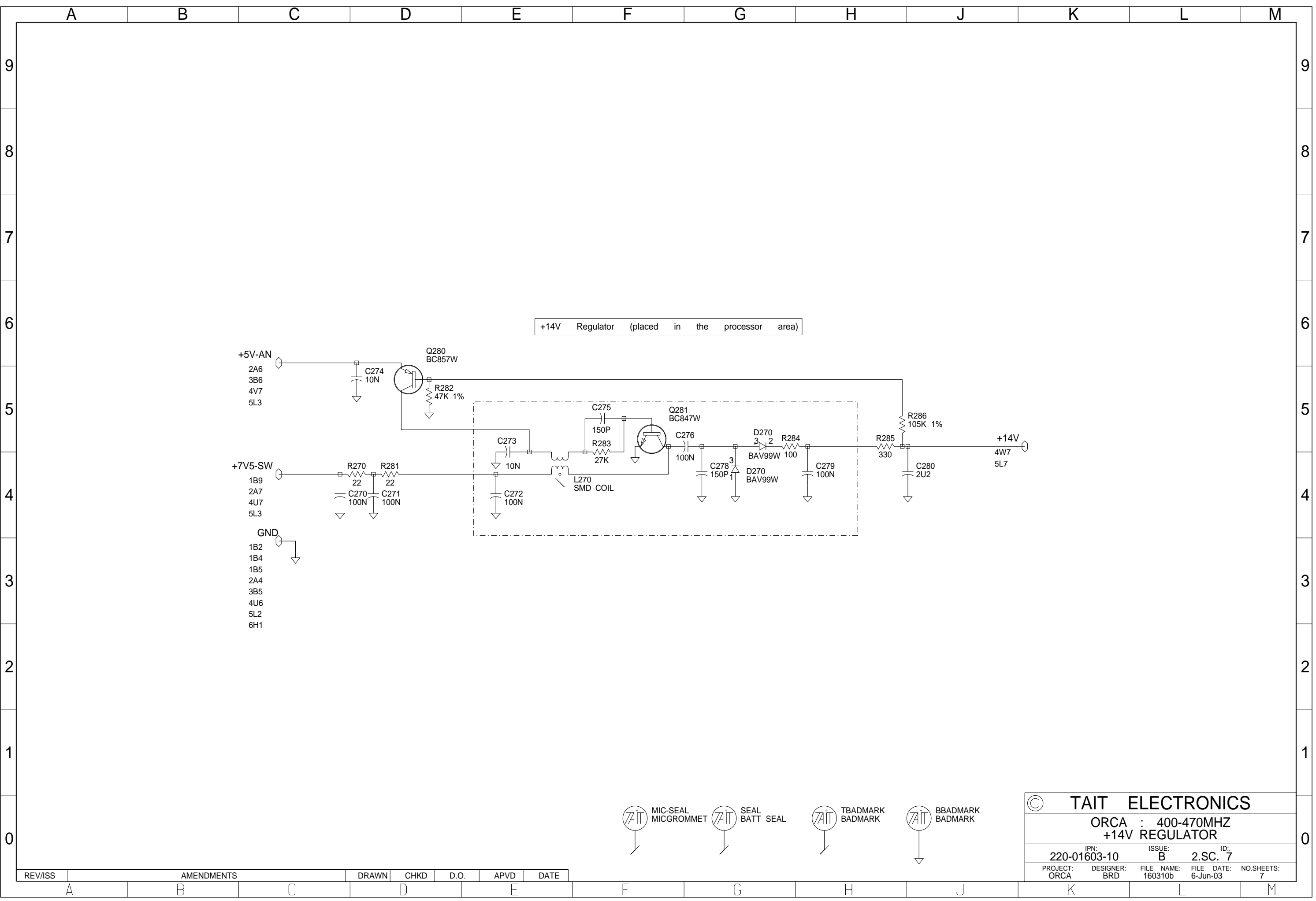


© TAIT ELECTRONICS

ORCA : 400-470MHZ VCO

IPN: 220-01603-10	ISSUE: B	ID: 2.S.C. 6
PROJECT: ORCA	DESIGNER: BRD	FILE NAME: 160310b
	FILE DATE: 6-Jun-03	NO.SHEETS: 7

REV/ISS	AMENDMENTS	DRAWN	CHKD	D.O.	APVD	DATE
A						
B						
C						
D						
E						





+14V Regulator (placed in the processor area)

+5V-AN
2A6
3B6
4V7
5L3

+7V5-SW
1B9
2A7
4U7
5L3

GND
1B2
1B4
1B5
2A4
3B5
4U6
5L2
6H1

© TAIT ELECTRONICS			
ORCA : 400-470MHZ +14V REGULATOR			
IPN: 220-01603-10	ISSUE: B	ID: 2.SC. 7	
PROJECT: ORCA	DESIGNER: BRD	FILE NAME: 160310b	FILE DATE: 6-Jun-03
			NO.SHEETS: 7

-  MIC-SEAL MICGROMMET
-  SEAL BATT SEAL
-  TBADMARK BADMARK
-  BBADMARK BADMARK

REV/ISS	AMENDMENTS	DRAWN	CHKD	D.O.	APVD	DATE